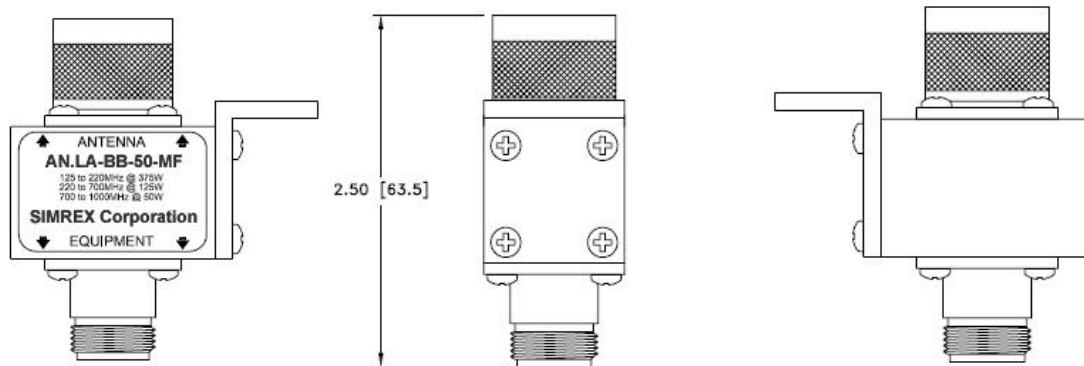


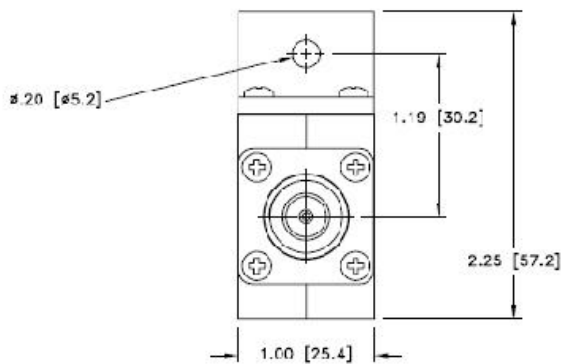
BROADBAND DC BLOCKED PROTECTOR

Broadband DC Blocked Protector for general radio use

- **Multi-strike Capability**
- **Low Strike Throughput Energy**
- **Flange Mount and Bulkhead Mount Option**



Technical Specifications:



Insertion Loss:	$\leq 0.1\text{dB}$
Freq. Range:	125-1000MHz
Mounting:	Bulkhead
Protected Side Connector:	N Female 50 Ω
RF Power:	50-375 Watts
Surge Side Connector:	N Male 50 Ω
Throughput Energy:	$\leq 220\mu\text{J}$ for 3kA @ 8/20 μs Waveform
Throughput Voltage:	$\leq 700\text{ Vpk}$
Turn-On Voltage:	+/- 600 Volts
Unit Impedance:	50 Ω
Voltage Standing Wave Ratio:	1.1 : 1
Relative Humidity:	90% at 40C
Temperature:	-55 C to +50/85 C Operating/Storage
Vibration:	1G at 5Hz to 100Hz