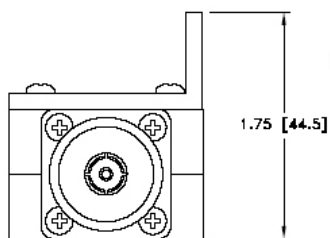
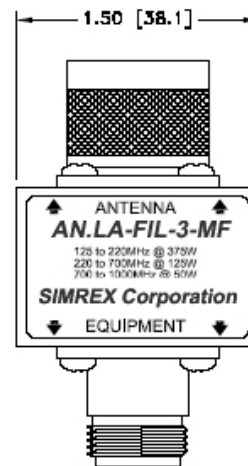
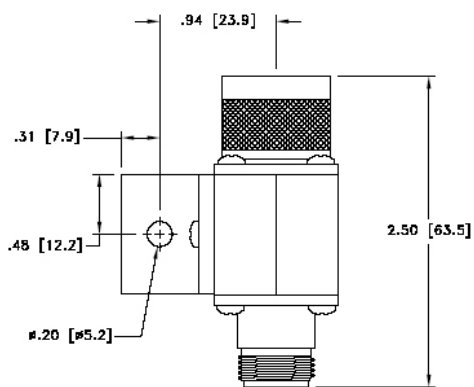


**Broadband dc Blocked Protector**

For general radio use; surface or bulkhead mountable options. Special note: For single transmitter applications.

- Low Strike Throughput Energy
- Flange Mount and Bulkhead Mount Options



**Technical Specifications:**

Insertion Loss:	≤ 0.1dB
Freq. Range:	125-1000MHz
Mounting:	Flange
Protected Side Connector:	N Female 50Ω
RF Power:	50-375 Watts
Surge Side Connector:	N Male 50Ω
Throughput Energy:	≤ 220μJ for 3kA @ 8/20μs Waveform
Throughput Voltage:	≤ 750 Vpk
Turn-On Voltage:	+/- 600 Volts
Unit Impedance:	50Ω
Voltage Standing Wave Ratio:	1.1 : 1
Temperature:	-45 C to +85 C Storage/Operating