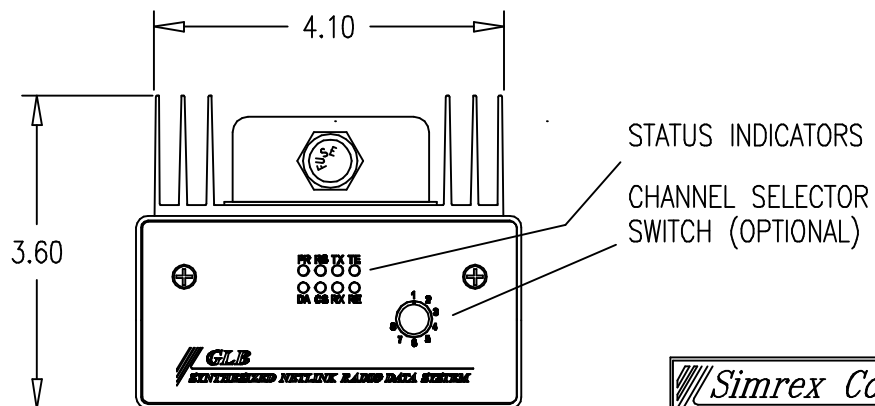
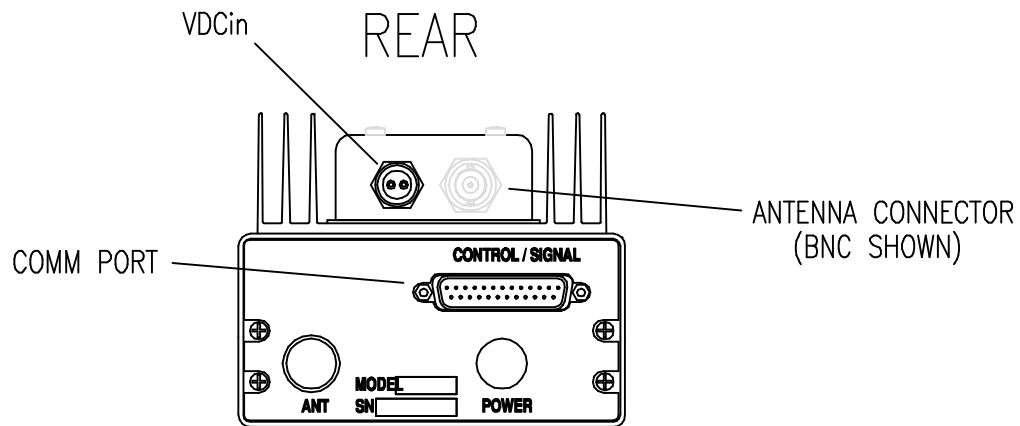
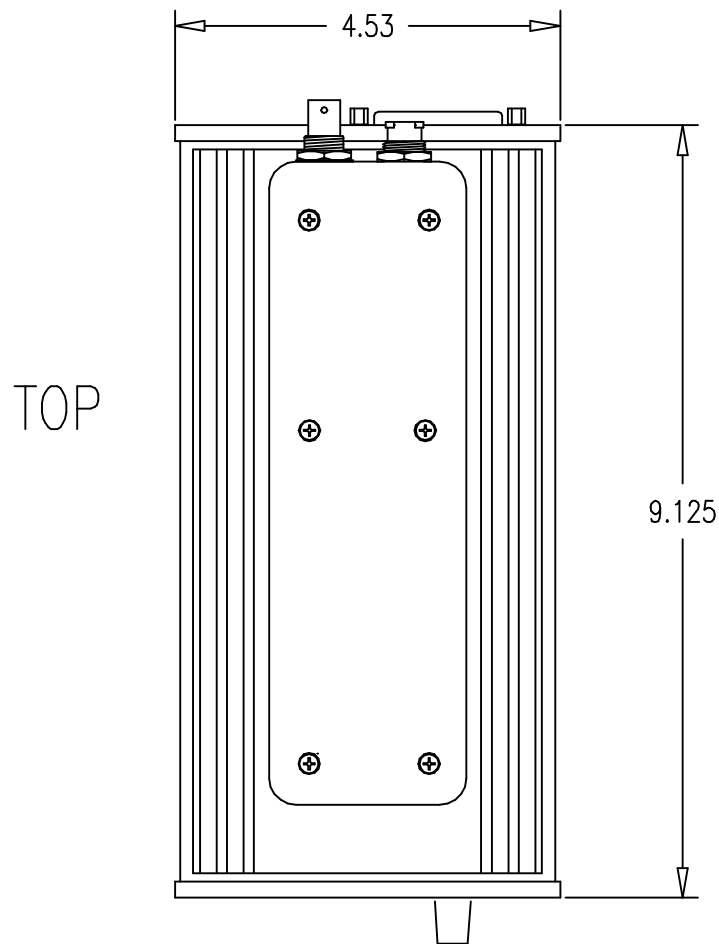


Simrex Corporation – SNRDS2 HP

Check here if this is a photo-copy or not shown at indicated scale.



NOTE: SHOWN W/OPTIONAL CHANNEL SELECTOR SWITCH

Simrex Corporation	
Drawing: SNRDS2 HP Overall Dimensions	
Tolerance: +/- .020	
Finish:	REV. 1
04/01/97	Units: Inches
File: G-000992	PLOT scale: 1=1.5 D. Smyntek