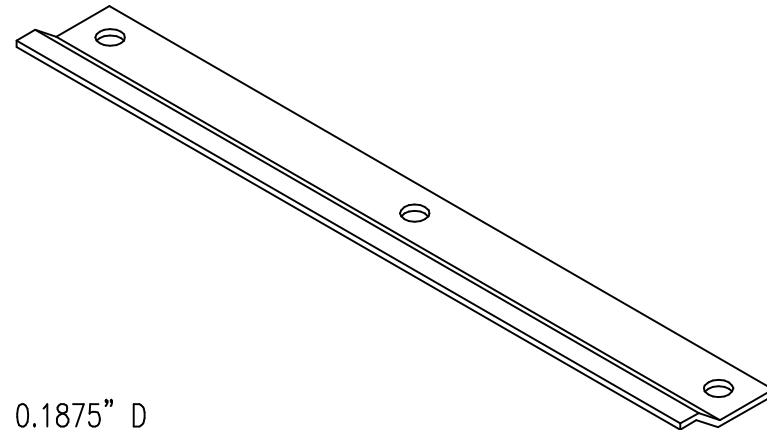
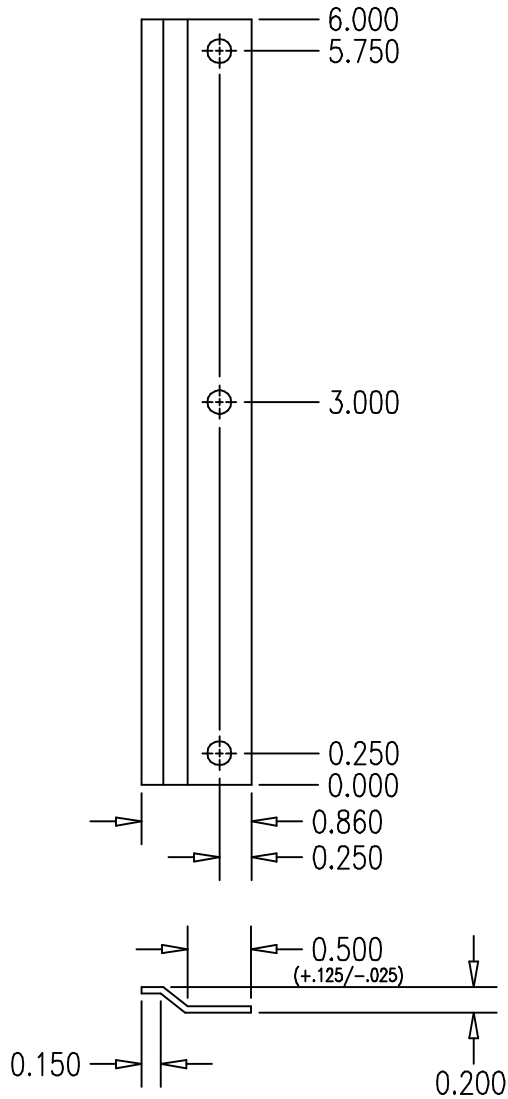


Drawing: MW.SN2MNTBRK

REV.
2

Check here if this is a photo-copy
or not shown at indicated scale.



3 Holes = 0.1875" D

THIS REV. - ADD TOLERANCE

Simrex Corporation

Drawing: SNRDS II Mounting
Brackets

Mat.: .063" Aluminum

Finish: Black Anodize
Tolerance: +/- .015

REV.
2

06/19/97 Units: Inches
File: G-001089 Plot Scale: 1 = 1 D. Smyntek