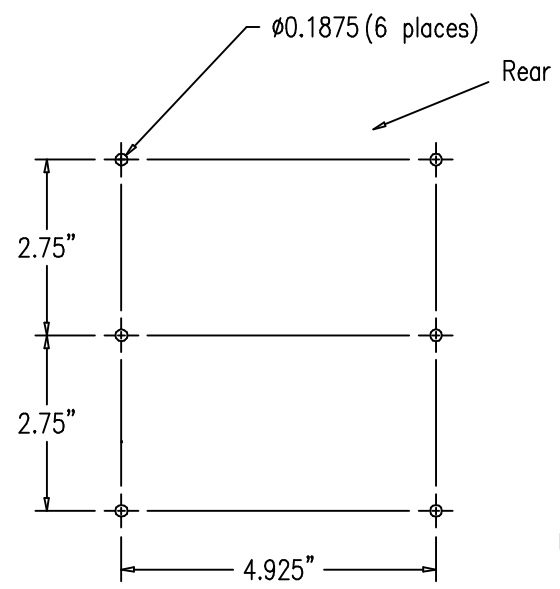
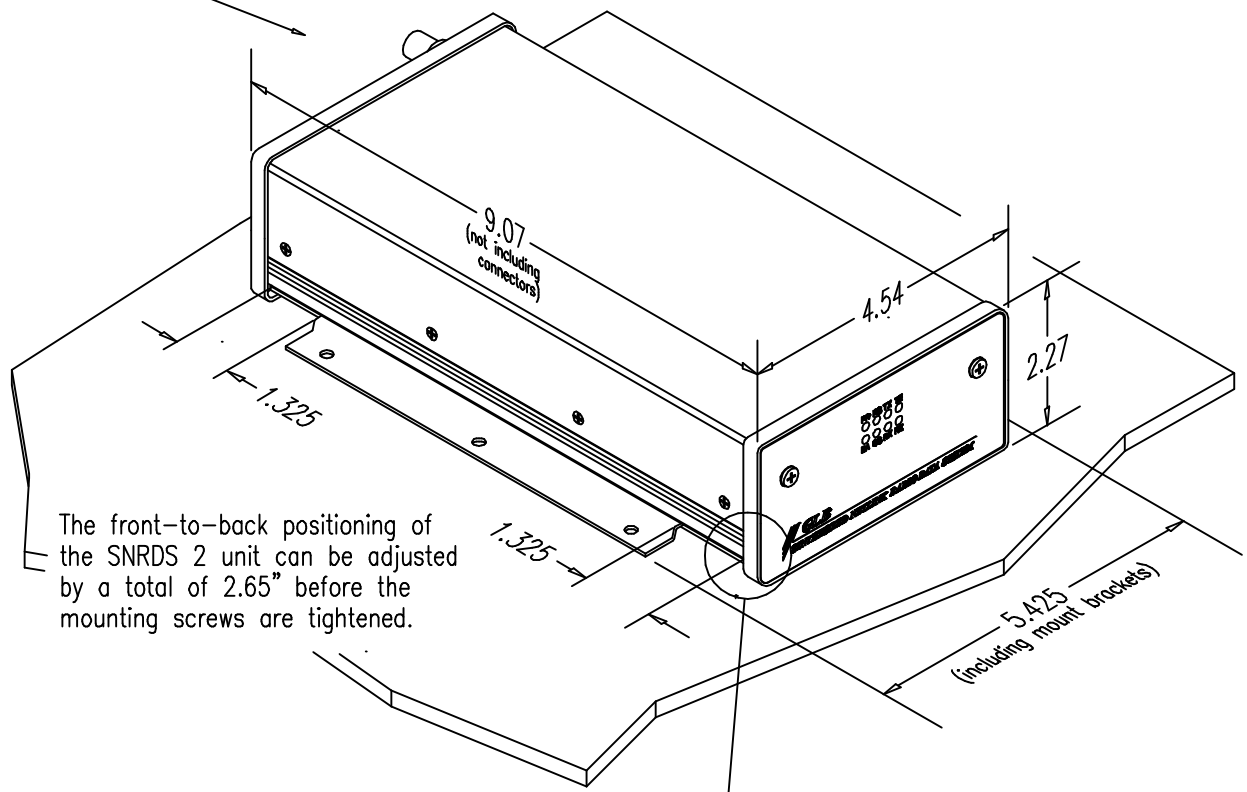


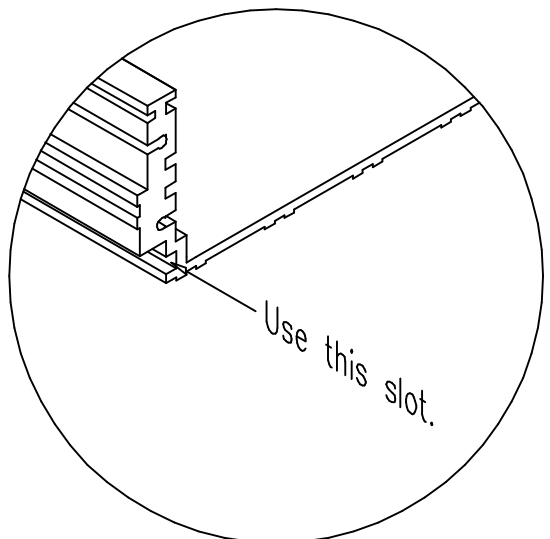
Check here if this is a photo-copy or not shown at indicated scale.



Rear



The front-to-back positioning of the SNRDS 2 unit can be adjusted by a total of 2.65" before the mounting screws are tightened.



See Cross-section Detail

These mounting brackets are designed to use SAE #10 diameter screws (6 places).

Simrex Corporation	
Drawing: SNRDS II Mounting Illustration	
REV. 1	
12/17/96	Units: Inches
File: G-000945	D. Smytek